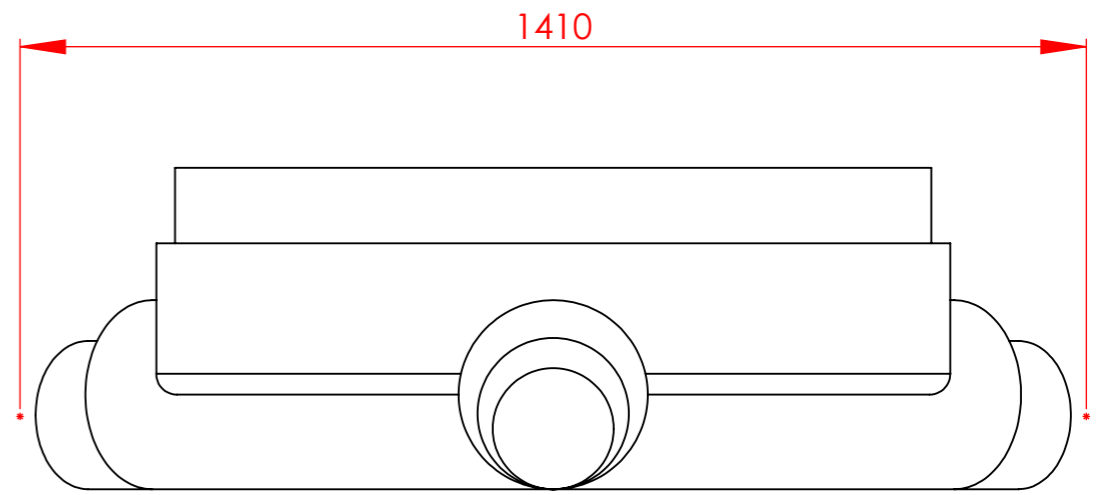
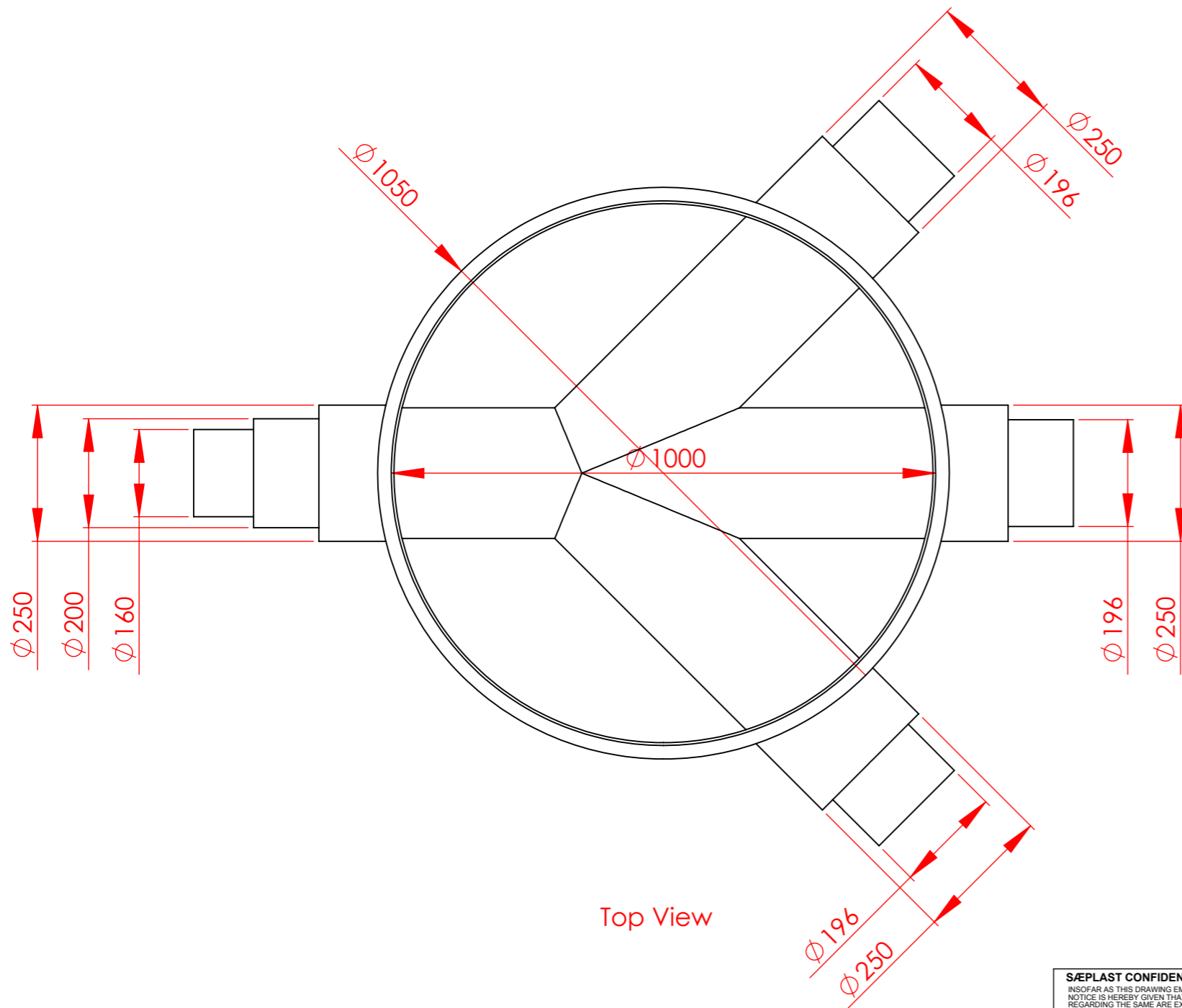


Front View




Right View



Top View

SÆPLAST CONFIDENTIALITY AGREEMENT NOTICE:
 IN SO FAR AS THIS DRAWING EMBODIES A CONFIDENTIAL PROPRIETARY DESIGN OWNED BY SÆPLAST, NOTICE IS HEREBY GIVEN THAT ALL DESIGN, MANUFACTURING, REPRODUCTION USE AND SALES RIGHTS REGARDING THE SAME ARE EXPRESSLY RESERVED TO SÆPLAST. THIS DRAWING IS SUBMITTED UNDER A CONFIDENTIAL RELATIONSHIP FOR A SPECIFIC PURPOSE AND THE RECIPIENT HERETO AGREES NOT TO DISCLOSE THIS DRAWING OR ANY PORTION OF ITS CONTENTS TO ANY UNAUTHORIZED PERSON, OR TO INCORPORATE THIS PROPRIETARY DESIGN OR THE SUBSTANCE OF IT EITHER IN WHOLE OR IN PART IN ANY OTHER PROJECTS.

UNLESS OTHERWISE SPECIFIED DIMENSIONS ARE IN MILLIMETERS. TOLERANCES ARE: DECIMALS ± 2%		MATERIAL		 www.saeplast.com Gunnarsbraut 12 620 Dabkik Iceland Tel +354 460 5000	
DO NOT SCALE DRAWING FIRST ANGLE PROJECTION		FORM			
CAD GENERATED DRAWING. DO NOT MANUALLY UPDATE.		MATERIAL SIZE		DESCRIPTION Ø1000 - Brunnbotn	
DESIGNED BY -B.A.		DATE -24.10.17		DRAWN BY B.A.	
CHECKED BY D.O.		DATE 26.02.18		CHECKED BY -D.O.	
COMMENTS		PROCESS		FINISH	
PRODUCTION GROUP		SPAREPART		REPLACES	
REPLACED BY		REPLACED BY		REV.	
SCALE 1:20		CAD FILE: 1000-Brunnbotn-Prod		SHEET 1 OF 1	